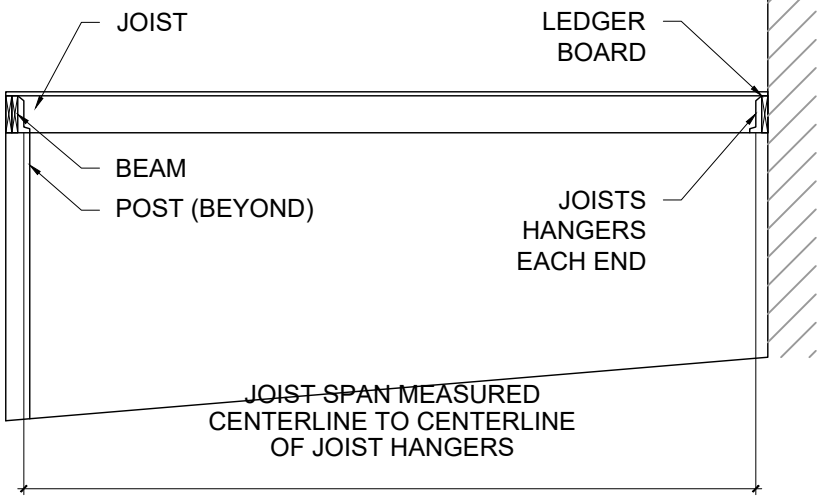
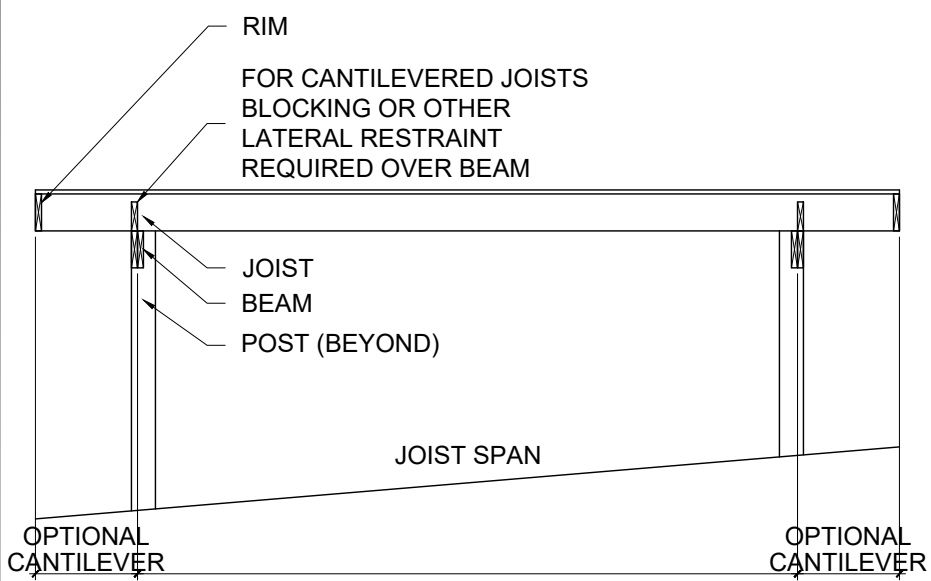


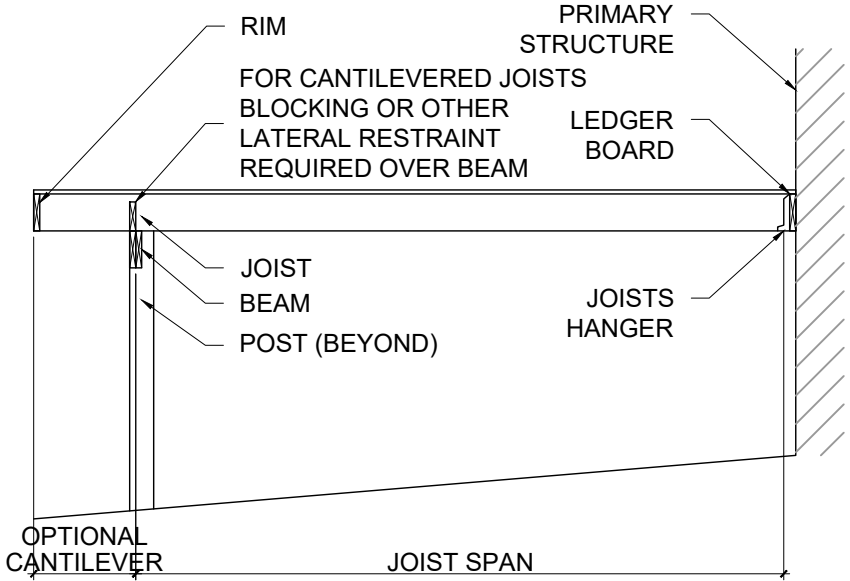
FREE-STANDING DECK
FLUSH BEAM



ATTACHED DECK
FLUSH BEAM



FREE-STANDING DECK
DROPPED BEAM



ATTACHED DECK
DROPPED BEAM

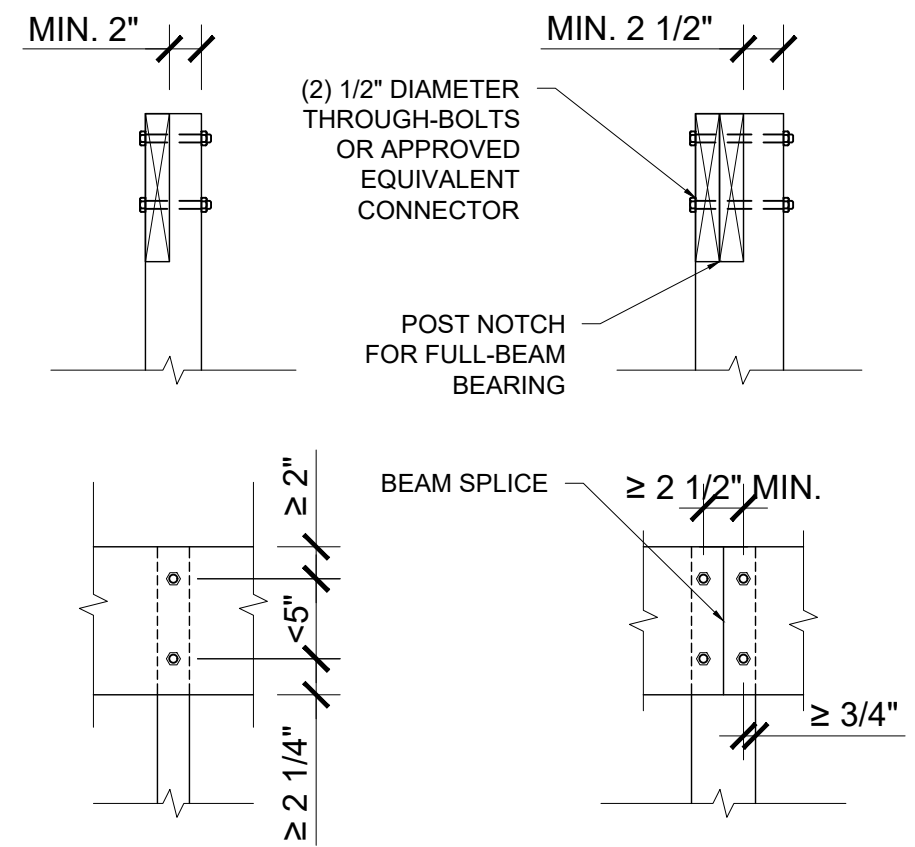
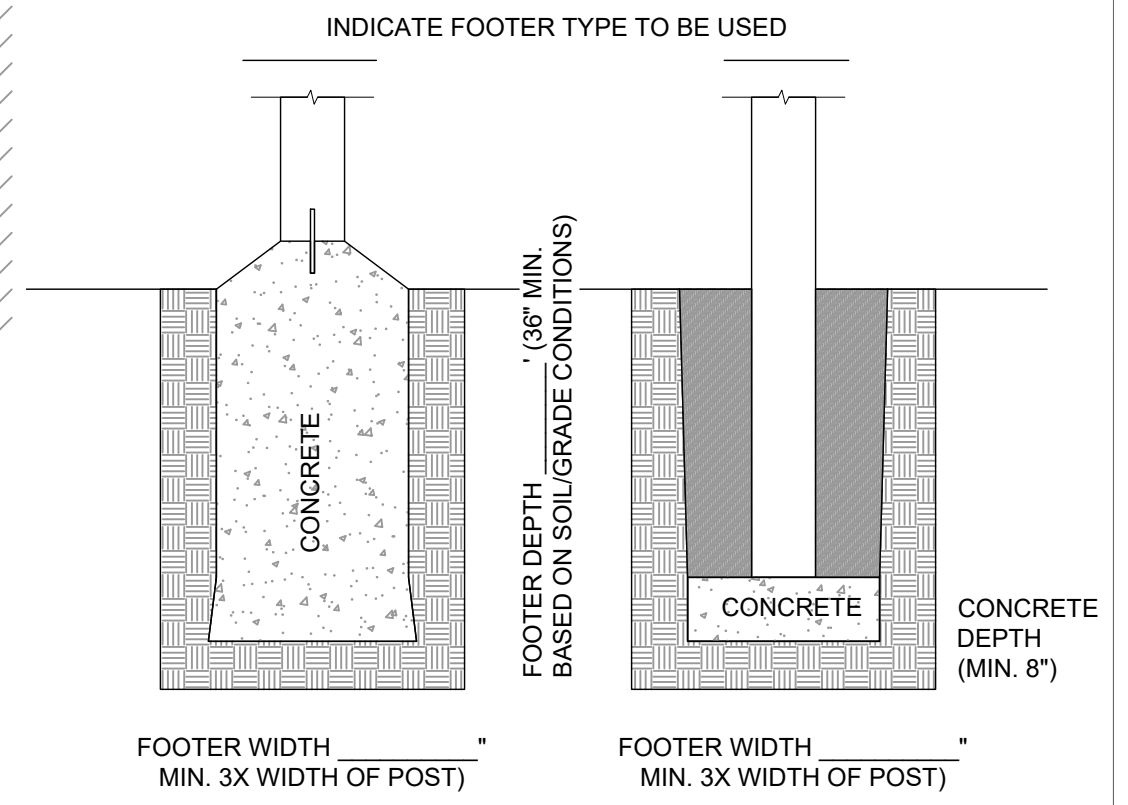


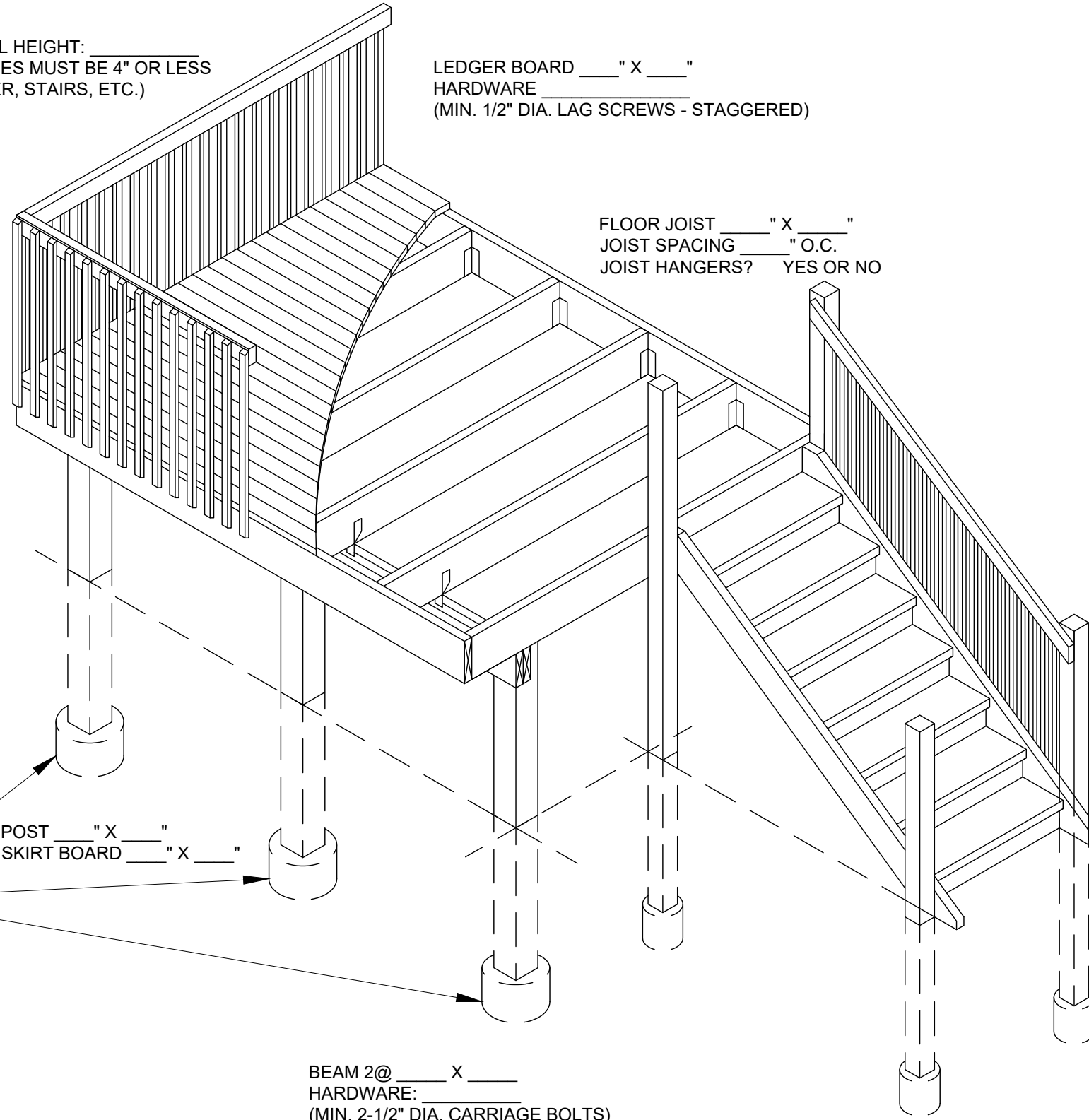
FIGURE 507.5.1(2)
NOTCHED POST-TO-BEAM
CONNECTION



311.7.8.1
 DECK RAIL HEIGHT: _____
 ALL SPACES MUST BE 4" OR LESS
 (BALUSTER, STAIRS, ETC.)

LEDGER BOARD _____" X _____"
 HARDWARE _____
 (MIN. 1/2" DIA. LAG SCREWS - STAGGERED)

FLOOR JOIST _____" X _____"
 JOIST SPACING _____" O.C.
 JOIST HANGERS? YES OR NO



SEE REVERSE SIDE FOR
 GIRDER AND FOOTER DETAILS

POST _____" X _____"
 SKIRT BOARD _____" X _____"

BEAM 2@ _____ X _____
 HARDWARE: _____
 (MIN. 2-1/2" DIA. CARRIAGE BOLTS)

MAX. FLOOR JOIST SPAN (16" O.C.)	
DEAD LOAD	20PSF
2" X 6"	6'-10"
2" X 8"	8'-8"
2" X 10"	10'

MAX. BEAM SPAN (CENTER OF BEAM TO CENTER OF POST)	
2 - 2" X 6"	- 6'-0"
2 - 2" X 8"	- 8'-0"
2 - 2" X 10"	- 10'-0"
2 - 2" X 12"	- 12'-0"

STAIR INFORMATION

- STRINGER: _____" X _____"
- TREADS: _____" X _____"
- RISER HEIGHT: _____"
(4" MIN. - 8 1/4" MAX.)
- RISER BACKS REQUIRED TO ELIMINATE SPACES 4"+
- STAIR RAIL HEIGHT: _____"
- ROUNDED, GRASPABLE 311.7.8.5 HANDRAIL REQUIRED ON STAIRS
- POST WITH FOOTERS REQUIRED ON BOTH SIDES OF STAIRS